



## Composite Manifold SL 1"

THE EASIEST WAY TO ASSEMBLE A MANIFOLD:  
JUST SCREW & LOCK





LIGHTWEIGHT, MODERN AND ROBUST MANIFOLD MADE OF  
REINFORCED POLYAMIDE.  
IDEAL FOR HEATING AND COOLING.



---

## MODULAR COMPOSITE MANIFOLD

---

Modular distribution manifold made of glass fibre reinforced polyamide. The manifold is modular to be easily adapted to the length and number of connections they serve. The modification does not involve the use of special tools and can be done on site by simply locking or unlocking the individual modules of the manifold. The hydraulic seal is ensured by generous internal double O-rings.

**The pre-assembled modular supply and return manifold realized in reinforced polyamide, including:**

- manual intercepting valves with micrometric flow regulator for each circuit
- load/drain cock
- manual/automatic air vent
- supply flowmeter 0-5 l/min for every circuit / AFC valve
- main flow and return thermometers 0-60 °C
- wall and cabinet fixing brackets
- piping connections 3/4" eurocone
- main piping connections 1 1/4" male

Maximale Betriebs-Temperatur: 75 °C

Minimale Betriebs-Temperatur: 10 °C

Maximaler Betriebsdruck: 6 bar

---

## BENEFITS

---

- lightweight and robust manifold made of reinforced polyamide
- ideal for heating and cooling
- the easiest way to assemble a manifold: just Screw & Lock
- installation without special tools
- slim design (depth < 80 mm)
- modular: possibility to add and remove single modules
- safety first: integrated safety clips to assemble your manifold
- self-insulating through integrated air chambers
- internal insulated pipe outlets
- all the components are sealed by double internal O-rings
- reversible: main connection left or right as desired on installation site
- room labelling clips
- pre-mounted plastic brackets
- 100% tightness test
- ready to connect and operate

---

## TEMPERATURE CYCLE TEST

---

Test method for the resistance of mounted assemblies  
to temperature cycling

**5000 Cycles**

Temperature 95 °C – 20 °C , pressure 6 bar

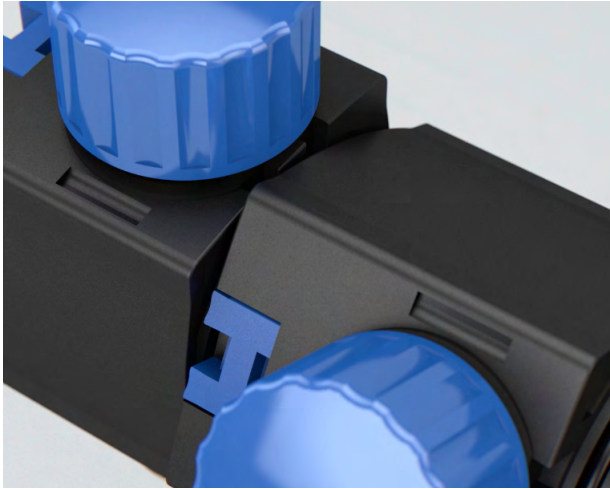
Compliance with EN 12293.



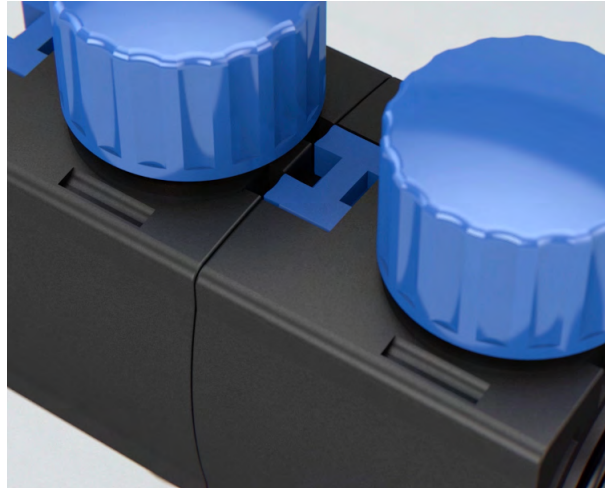
Modular: possibility to add and remove single modules



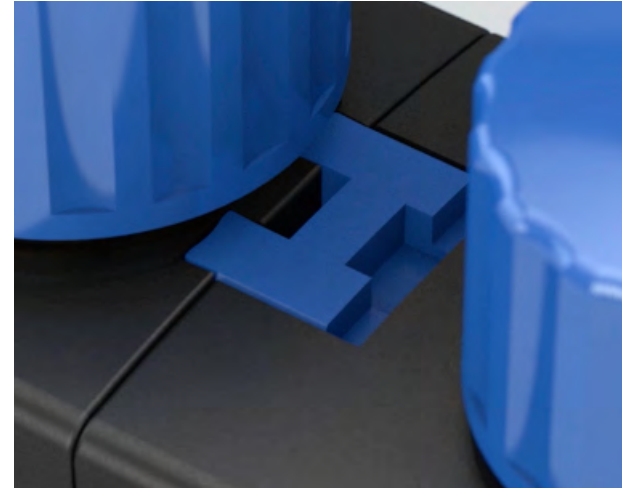
## Easy installation: Screw & Lock



SCREW

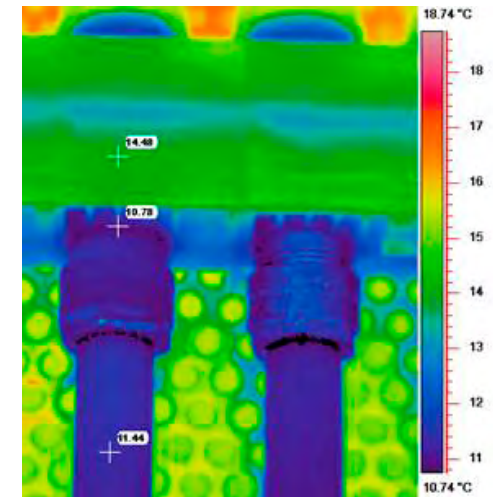
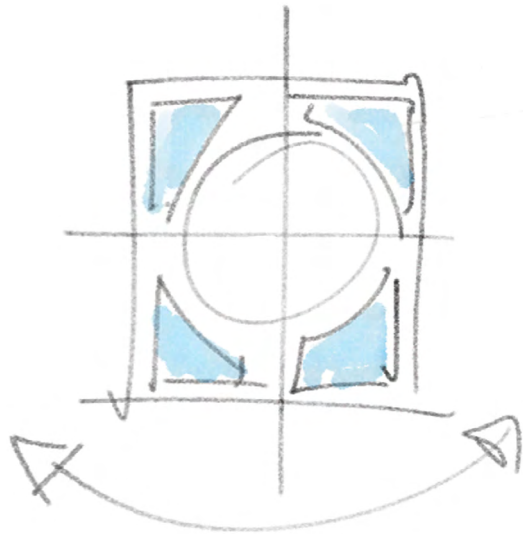


PUSH



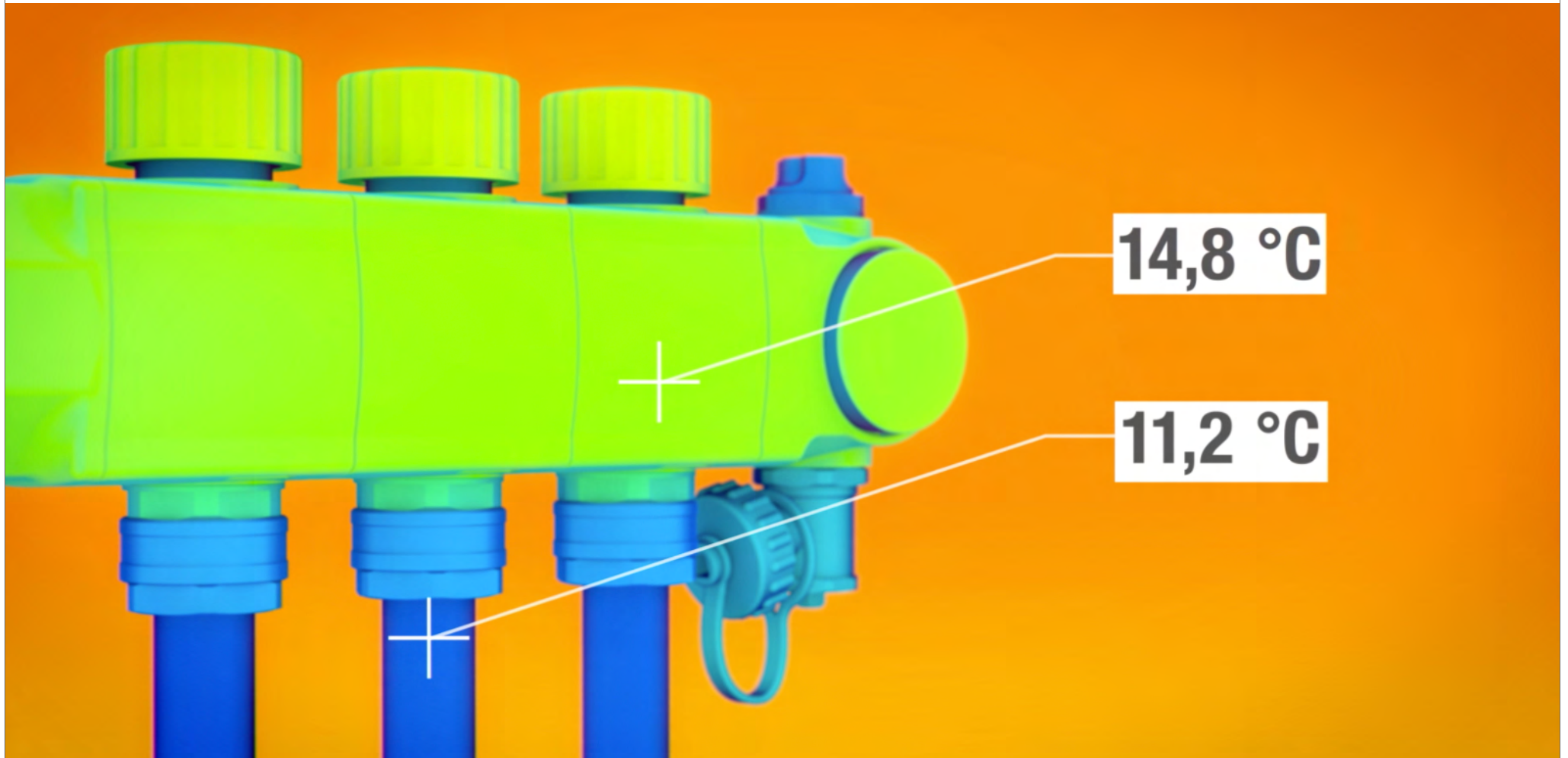
LOCK

## Self-insulating through integrated air chambers

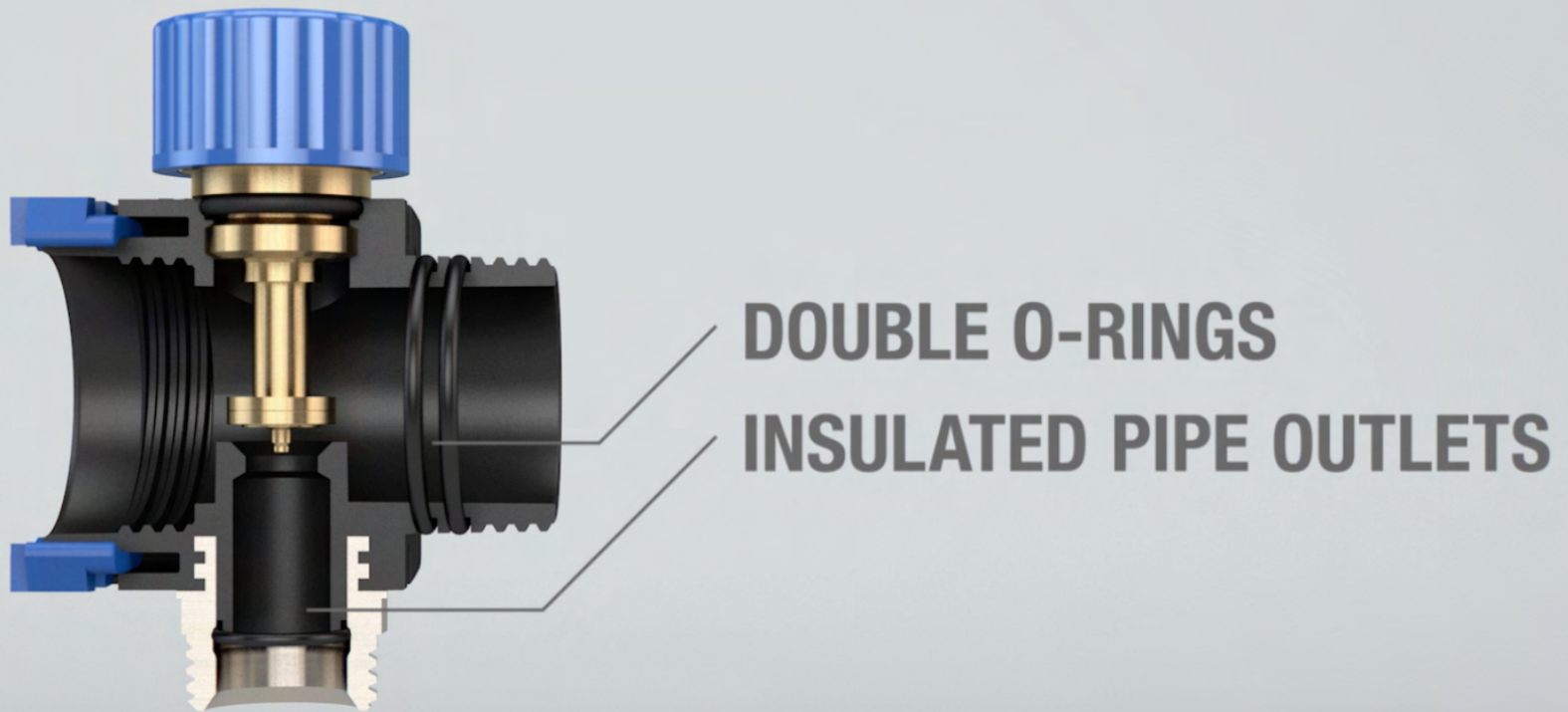




Self-insulating  
through integrated air chambers



Double O-rings:  
all the components are sealed by double internal O-rings



Reversible:  
main connection left or right as desired on installation site



## Room labelling clips



# PRODUCT SPECS

---

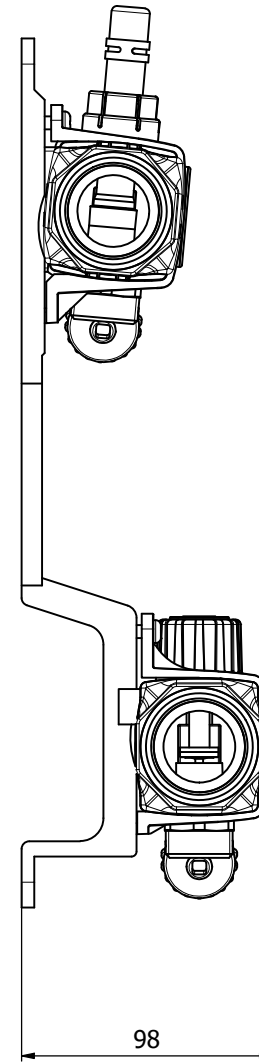
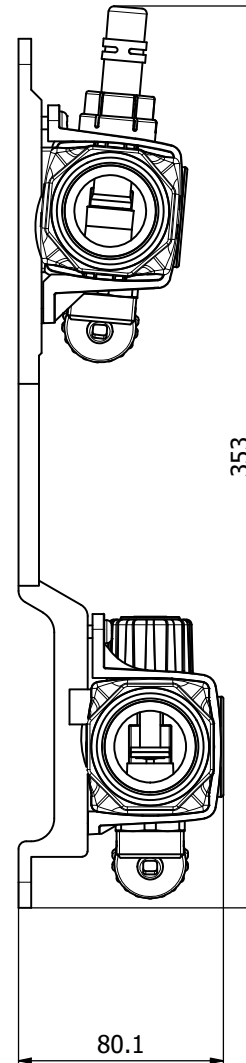
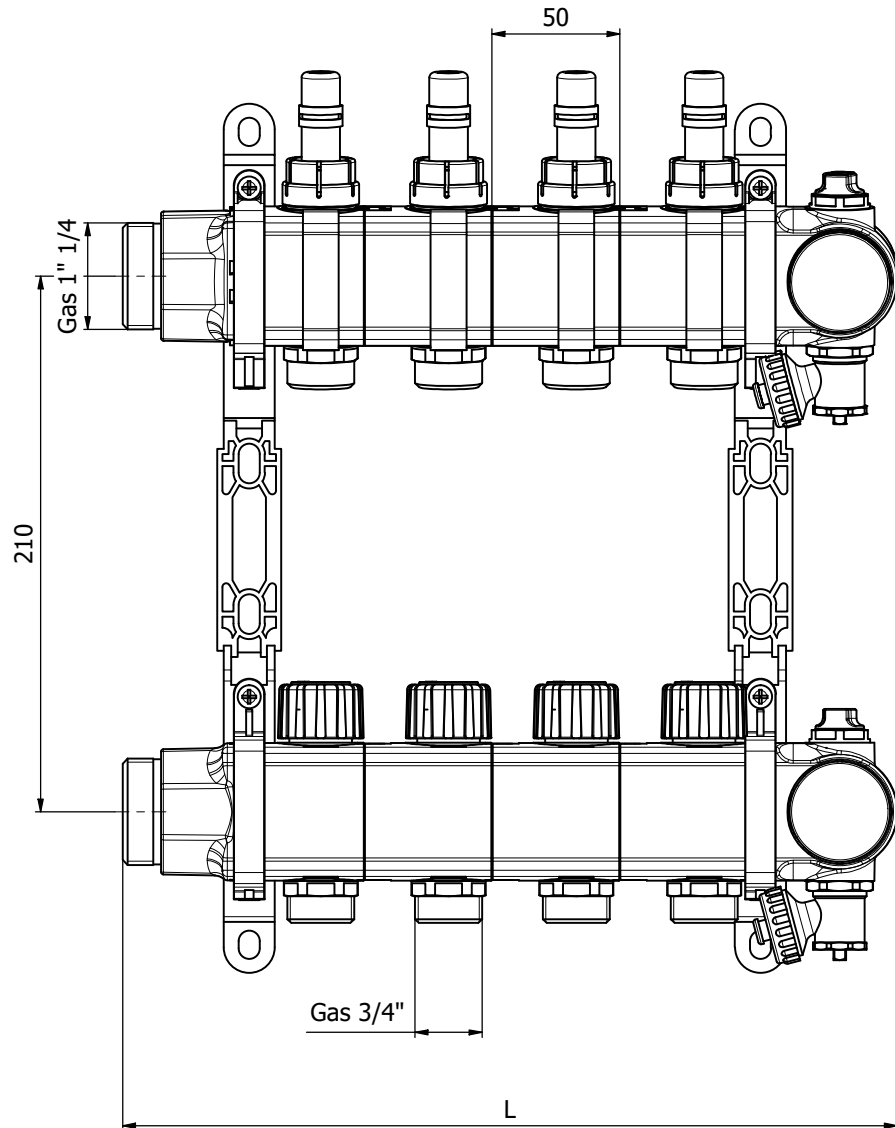
## TOPMETER

---





## SL MANIFOLD – TOP with manual air vent



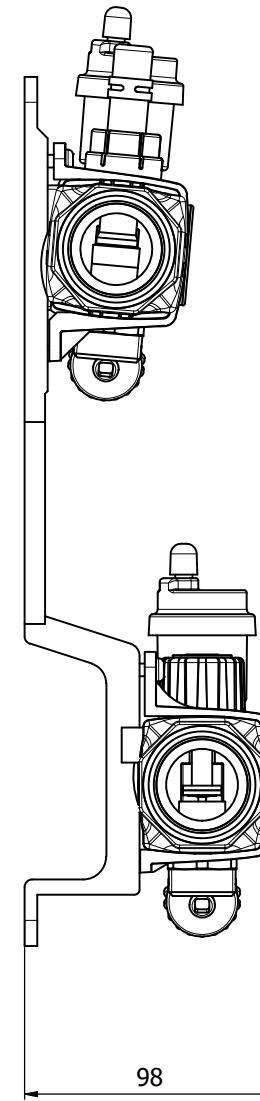
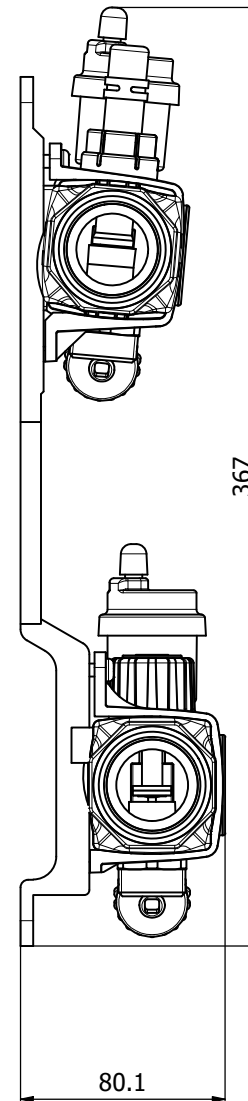
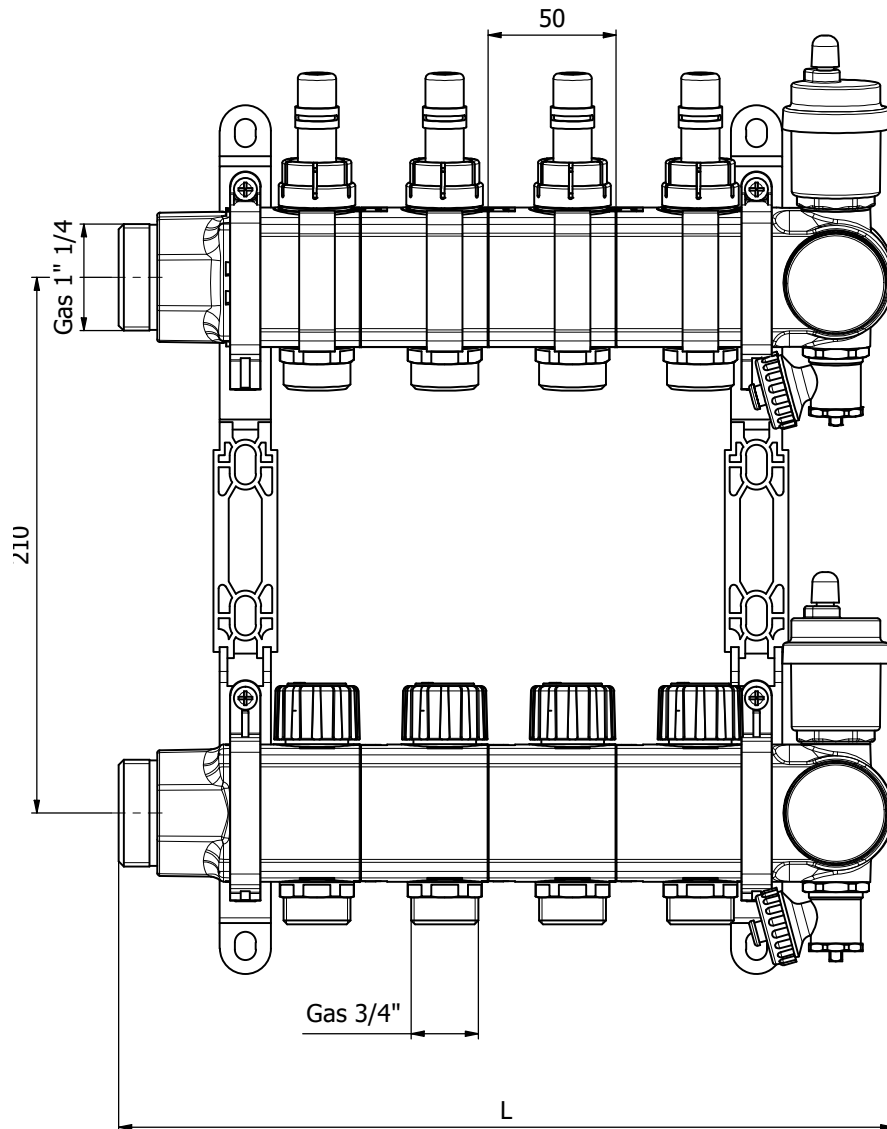
KREIS-LÄUFE	L (mm)	BÜGEL
1+1	153	2
2+2	203	2
3+3	253	2
4+4	303	2
5+5	353	2
6+6	403	2
7+7	453	2
8+8	503	2
9+9	553	2
10+10	603	2
11+11	653	3
12+12	703	3

Erhältlich auch mit Rücklauf oben und Hauptanschluss auf der rechten Seite

Hauptanschluss  
1/4" M oder 1" Überwurfmutter



## SL MANIFOLD – TOP with automatic air vent

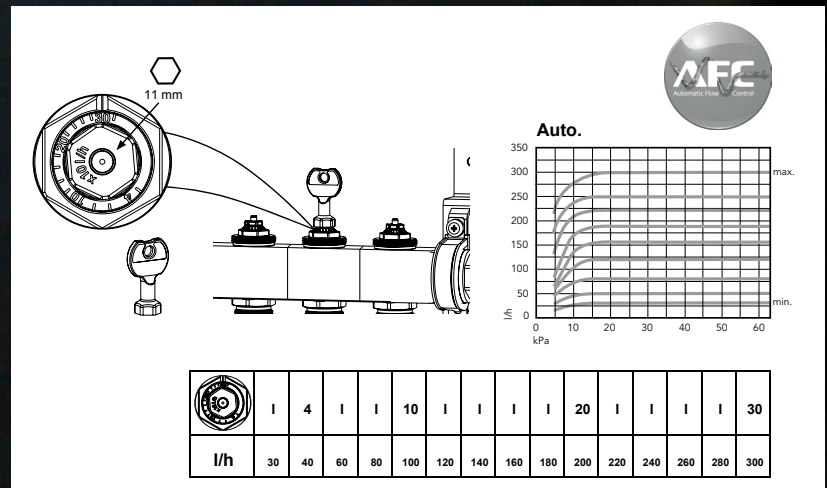


KREIS-LÄUFE	L (mm)	BÜGEL
1+1	153	2
2+2	203	2
3+3	253	2
4+4	303	2
5+5	353	2
6+6	403	2
7+7	453	2
8+8	503	2
9+9	553	2
10+10	603	2
11+11	653	3
12+12	703	3

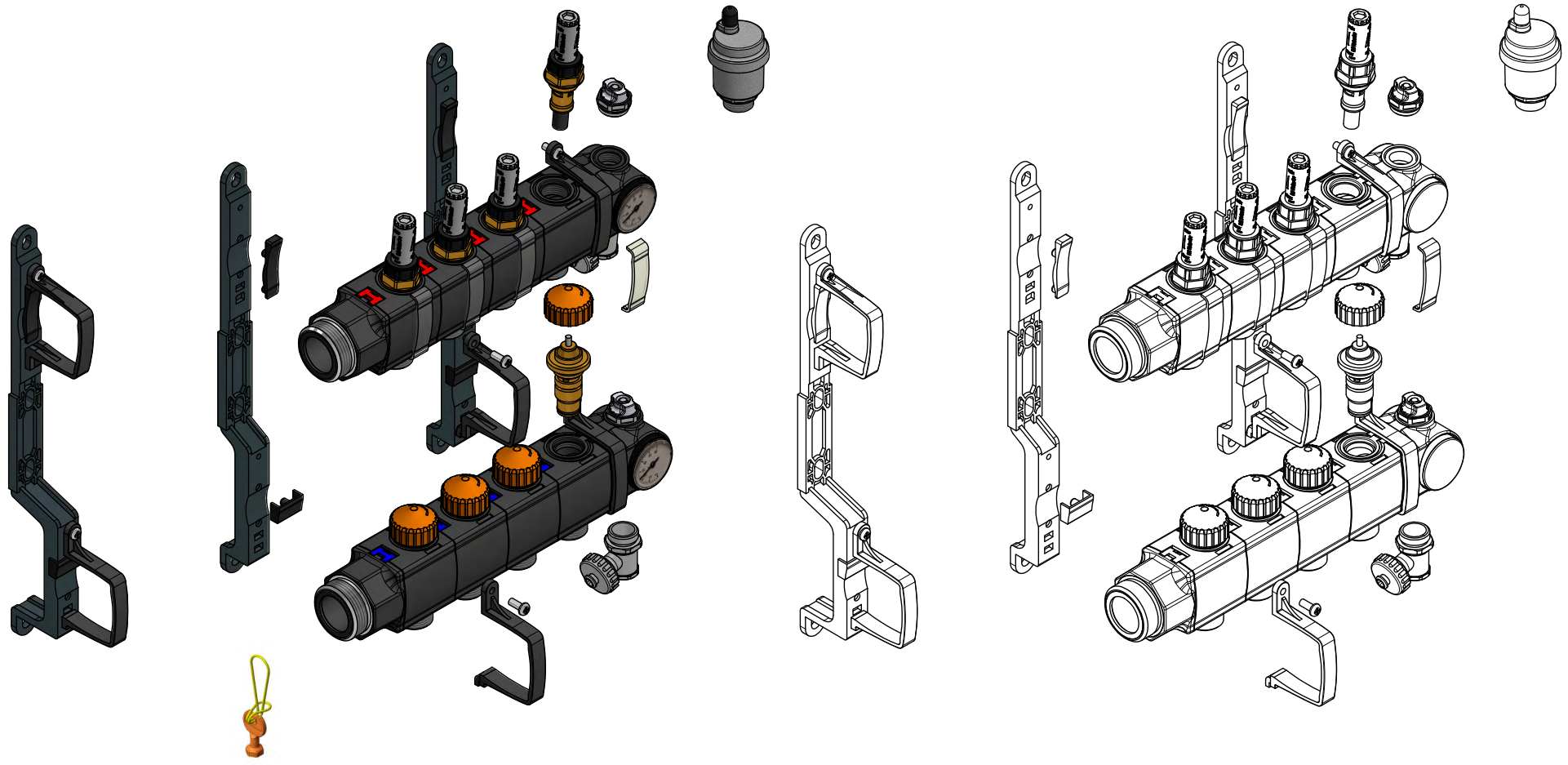
Erhältlich auch mit Rücklauf oben und Hauptanschluss auf der rechten Seite

Hauptanschluss  
1/4" M oder 1" Überwurfmutter

# AFC TECHNOLOGY

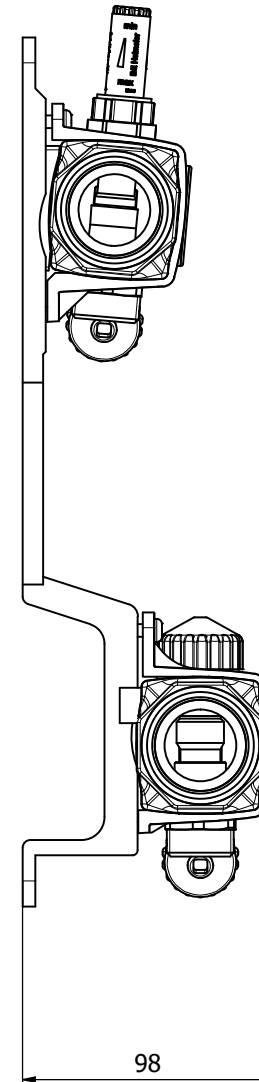
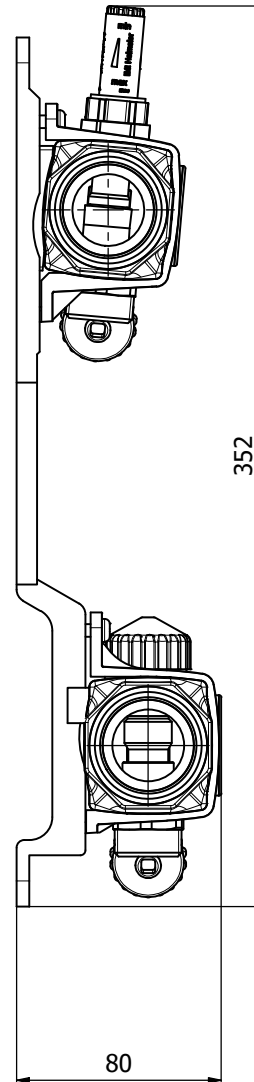
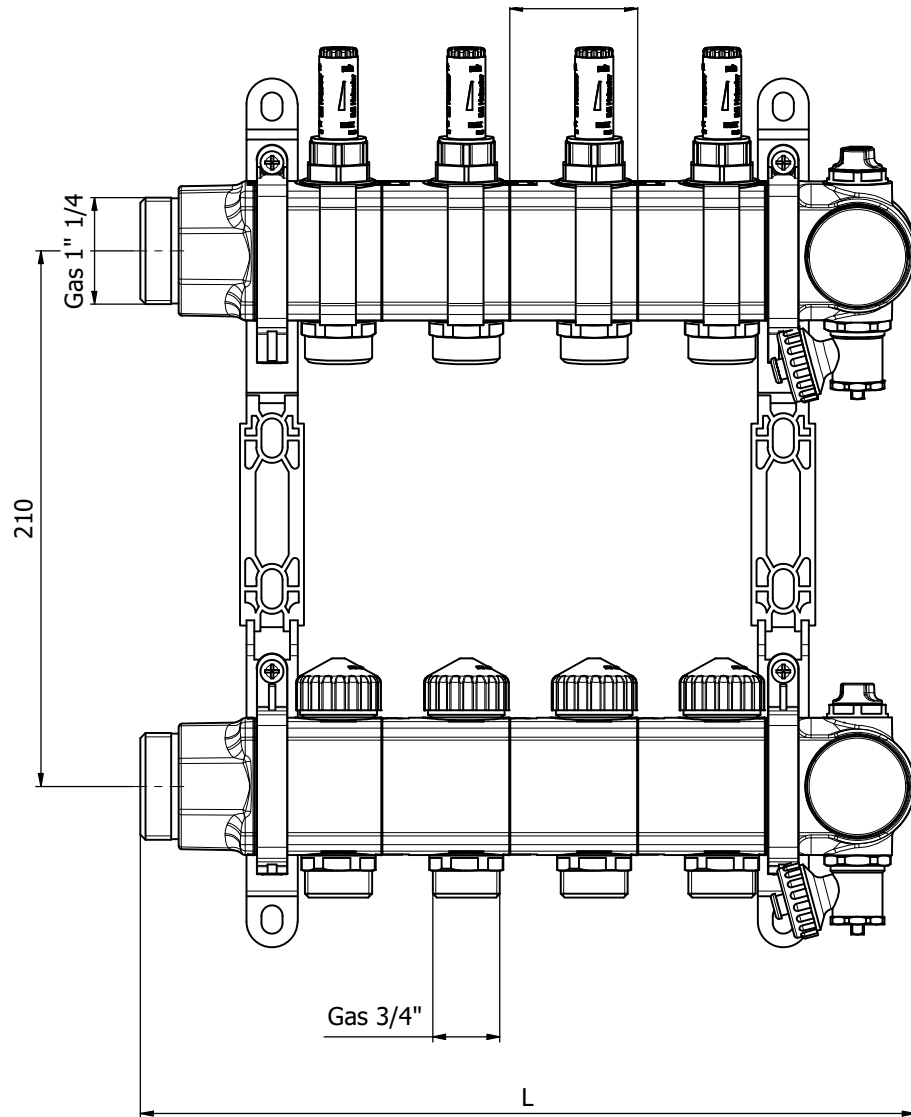


# SL MANIFOLD – AFC/IMI



# SL MANIFOLD – AFC/IMI

with manual air vent

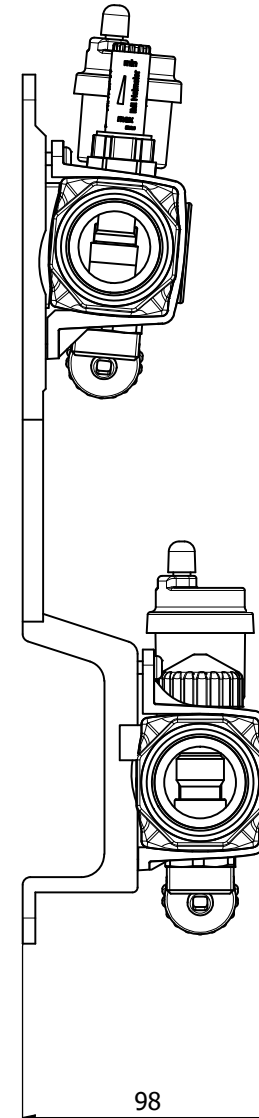
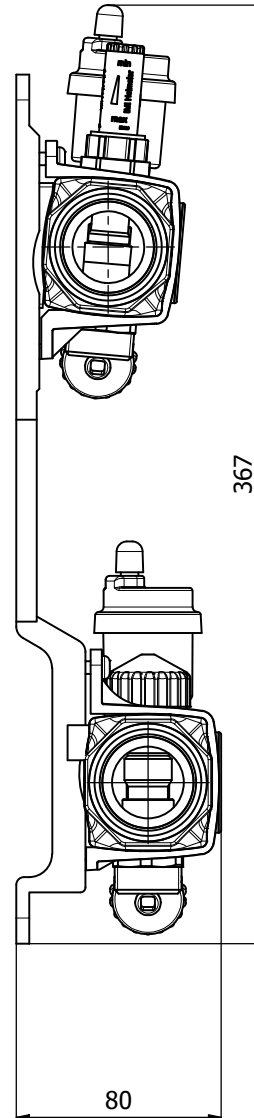
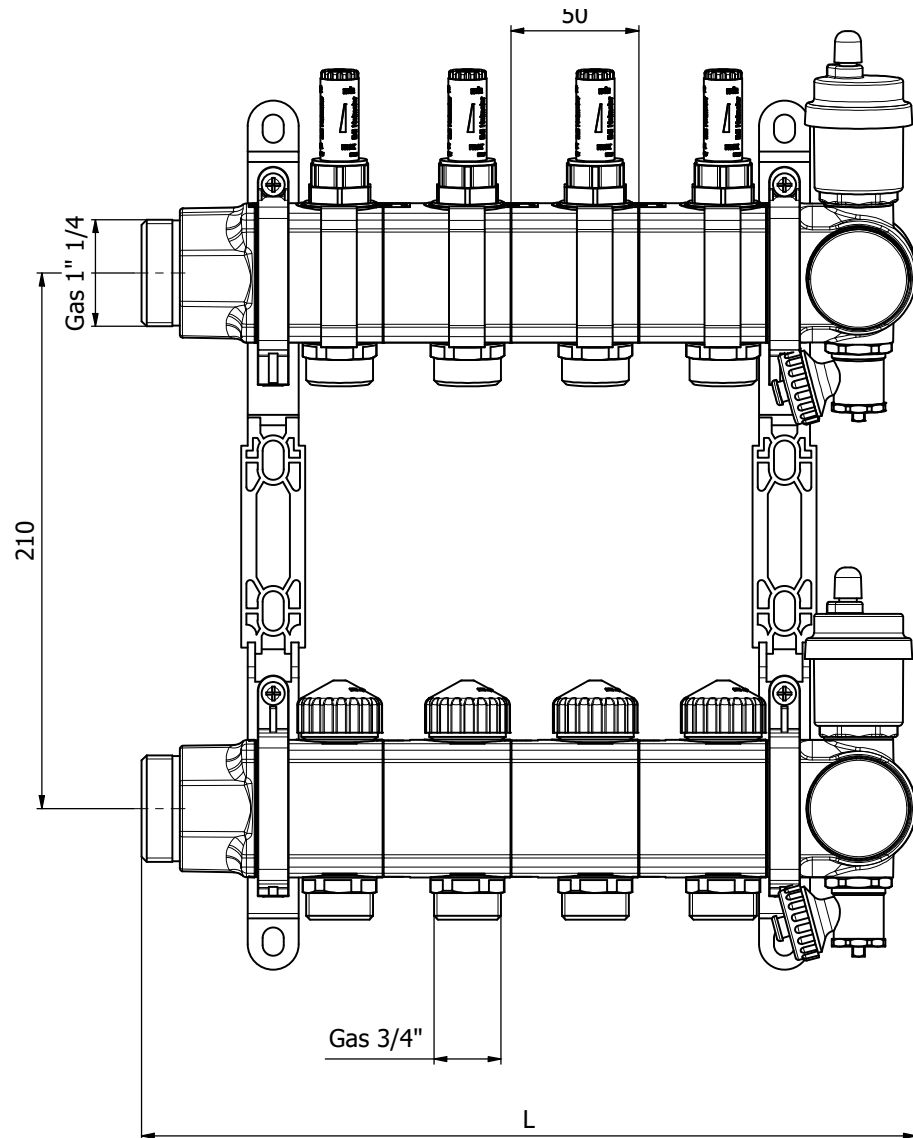


KREIS-LÄUFE	L (mm)	BÜGEL
1+1	153	2
2+2	203	2
3+3	253	2
4+4	303	2
5+5	353	2
6+6	403	2
7+7	453	2
8+8	503	2
9+9	553	2
10+10	603	2
11+11	653	3
12+12	703	3

Erhältlich auch mit Rücklauf oben und Hauptanschluss auf der rechten Seite

Hauptanschluss  
1/4" M oder 1" Überwurfmutter

## SL MANIFOLD – AFC/IMI with automatic air vent



KREIS-LÄUFE	L (mm)	BÜGEL
1+1	153	2
2+2	203	2
3+3	253	2
4+4	303	2
5+5	353	2
6+6	403	2
7+7	453	2
8+8	503	2
9+9	553	2
10+10	603	2
11+11	653	3
12+12	703	3

Erhältlich auch mit Rücklauf oben und Hauptanschluss auf der rechten Seite

Hauptanschluss  
1/4" M oder 1" Überwurfmutter

# Accessories

228041400

## SET OF STRAIGHT VALVES SL

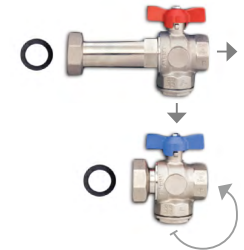
Set of straight outlet valves, made of nickel-plated brass, with 1" F main connection and 1/4" swivel nut to connect the SL manifold; rod with screwdriver cut to open and close the valve.  
L = 60 mm



228041430

## SET OF STRAIGHT/ANGLED VALVES

Set of angle and straight usable ball valves, made of nickel-plated brass, with 1" F main connection and 1/4" swivel nut to connect the SL manifold; including: red and blue handle to distinguish supply and return connection, brass cap with O-ring for closing the unused connection. L = 145 mm  
Optional: flow long, return short



228041390

## SET OF STRAIGHT VALVES SL WITH HANDLES

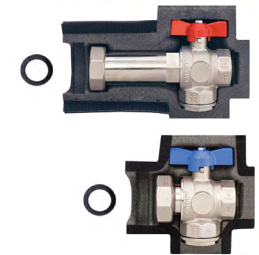
Set of straight outlet valves, made of nickel-plated brass, with 1" F main connection and 1/4" swivel nut to connect the SL manifold; each valve with handle (red/blue) to open and close the valve.  
L = 60 mm



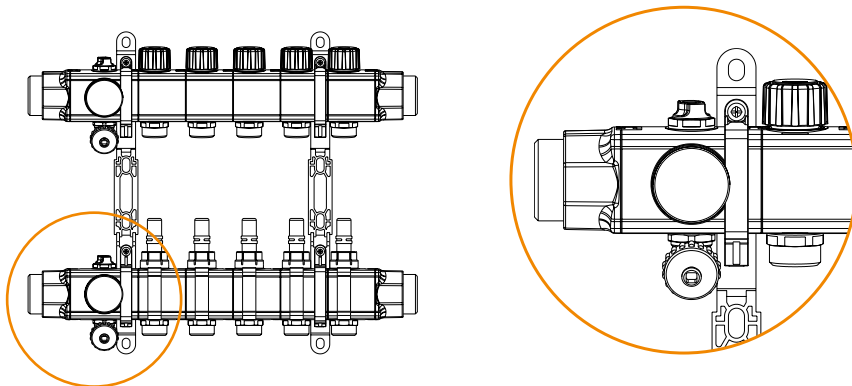
228041440

## SET OF STRAIGHT/ANGLED VALVES INCL. PE INSULATION COVERS

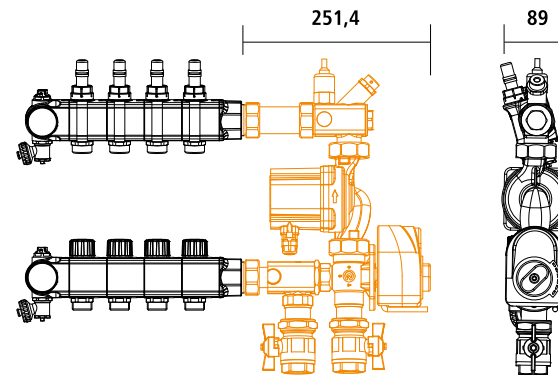
Set of angle and straight usable ball valves, made of nickel-plated brass, with 1" F main connection and 1/4" swivel nut to connect the SL manifold; including: red and blue handle to distinguish supply and return connection, brass cap with O-ring for closing the unused connection, insulation caps made of preformed PE to completely cover the ball valves. L = 145 mm.  
Optional: flow long, return short



## 4 pipe adapter



## Regulation unit: Command Mix SL



Command mix is a climate control system equipped with a 3-way mixing valve, designed for adjusting the heat supply to the building's heating requirements and guaranteeing optimal performance in terms of comfort. Flow characteristic of the mixing valve:  $K_v = 4,5$



[www.enetec.info](http://www.enetec.info)